



Bird Houses

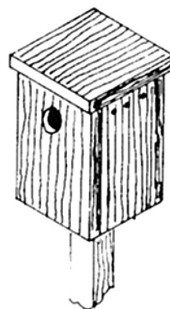
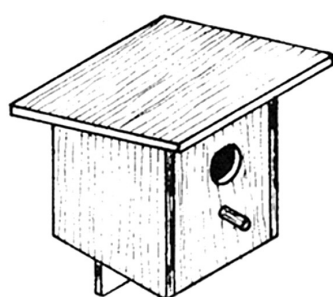
Oklahoma Cooperative Extension Service • Division of Agricultural Sciences and Natural Resources

Charles Cox

Associate Professor/State 4-H Program Leader and Program Specialist

Pat Lewis

Extension 4-H Specialist (Retired)
Agricultural Engineering



Birds are a universal attraction and are loved by many people. Many hours are spent observing the beauty of form, color, and song displayed by birds. Most bird houses should be constructed for a specific type of bird. Check the specification in Table 1 for the size of house to accommodate each species of bird.

People seem to prefer bird houses that are painted, but birds do not. One exception is the purple martin, whose house should be painted white to reflect heat from the sun; this house should be located in an open area. If you paint

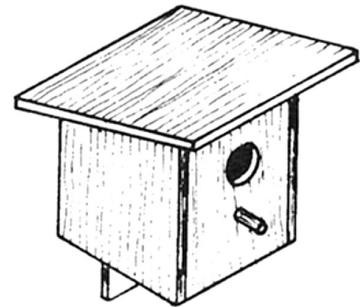
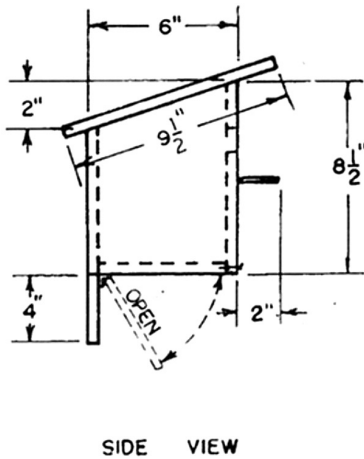
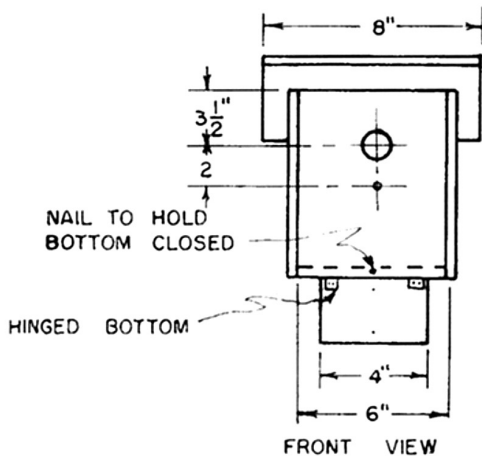
other bird houses, use subdued colors. But be prepared for a long period of weathering before the birds use them.

To prevent predators from destroying the nest or possibly killing the female while she is on the nest, you may wish to install predator guards between the bird house and the ground. A smooth piece of tin, about 40 inches long and wrapped around the tree or post and secured with nails, works well for this purpose.

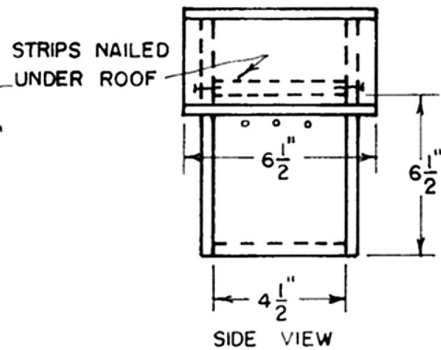
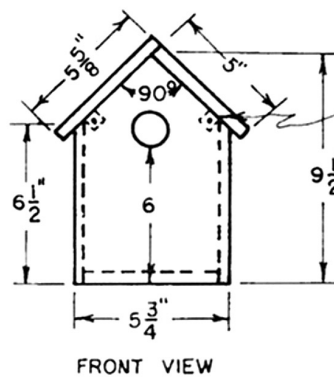
Be sure to clean your bird house when the nesting period is over.

Table 1. Size of birdhouse needed for the listed bird species.

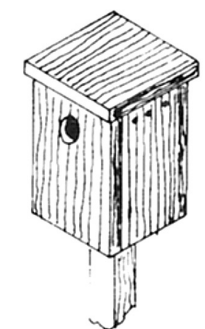
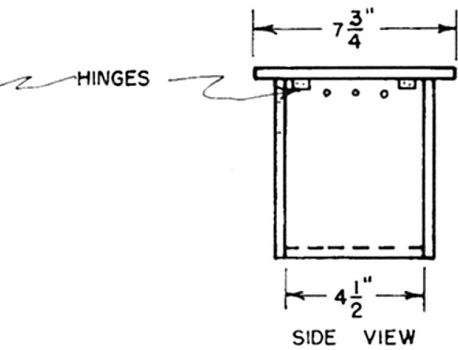
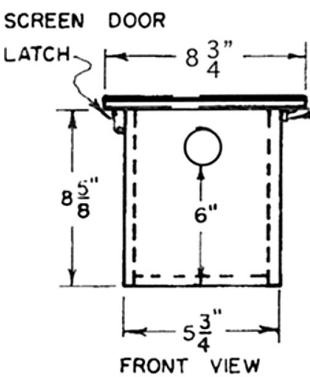
Specifications For:	Floor of Cavity	Depth of Cavity	Entrance Above Floor	Diameter of Entrance	Height Above Ground
Bluebird	5"x5"	8"	6"	1 1/2"	8'-10'
Wren	4"x4"	6"-8"	1"-6"	7/8"	6'-10'
Chickadee	4"x4"	8"	6"-8"	1 1/8"	6'-15'
Titmouse	4"x4"	8"-10"	8"	1 1/4"	6'-15'
Nuthatch	4"x4"	8"	6"-8"	1 1/4"	12'-20'
Martin	6"x6"	6"	1"	2"-2 1/4"	16'-30'
Flicker	7"x7"	16"	16"	2 1/2"	6'-20'
Red-Headed Woodpecker	6"x6"	12"	9"-12"	2"	12'-20'
Downey Woodpecker	4"x4"	8"	6"-8"	1 1/4"	6'-20'
Barn Swallow	6"x6"		Open Sides		
Robin	7"x8"		Open Sides		



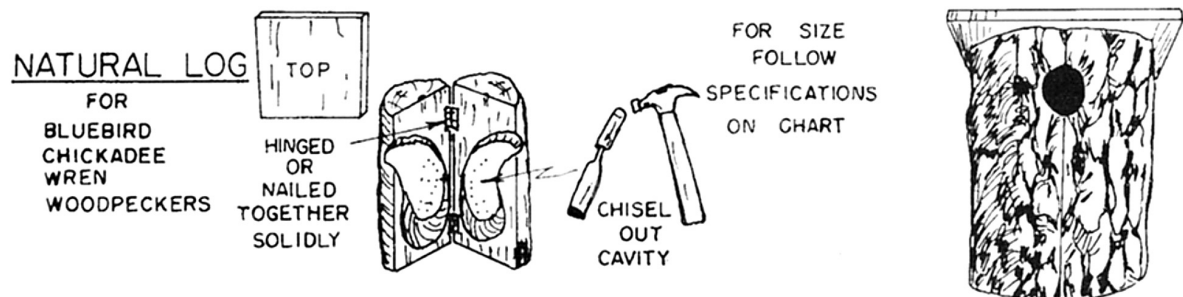
SLANT ROOF



GABLE ROOF



FLAT ROOF



Oklahoma State University, in compliance with Title VI and VII of the Civil Rights Act of 1964, Executive Order 11246 as amended, Title IX of the Education Amendments of 1972, Americans with Disabilities Act of 1990, and other federal laws and regulations, does not discriminate on the basis of race, color, national origin, gender, age, religion, disability, or status as a veteran in any of its policies, practices, or procedures. This includes but is not limited to admissions, employment, financial aid, and educational services.

Issued in furtherance of Cooperative Extension work, acts of May 8 and June 30, 1914, in cooperation with the U.S. Department of Agriculture, Robert E. Whitson, Director of Cooperative Extension Service, Oklahoma State University, Stillwater, Oklahoma. This publication is printed and issued by Oklahoma State University as authorized by the Vice President, Dean, and Director of the Division of Agricultural Sciences and Natural Resources and has been prepared and distributed at a cost of 20 cents per copy. 0305